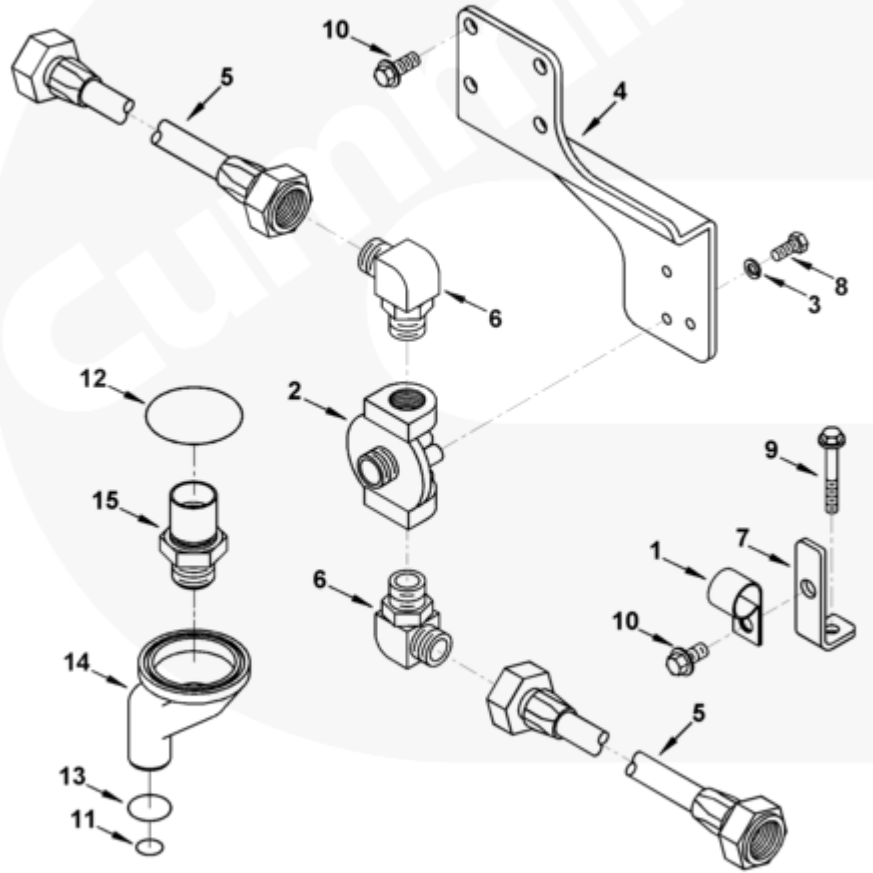




Parts Catalog - Option Detail

Electronic Parts Catalog - Option Detail				
Option	Group	Graphic	Film Card	Date
LF9074-05	07.03	lf952gq	T	29-APR-02
Engines	4B3.9, 6A3.4, 6B5.9, B GAS INTERNATIONAL CM556, B4.5, B4.5 CM2350 B129B, B4.5 CM2350 B146C, B4.5 CM2350 B147B, B4.5 RGT, B4.5S, B5.9 G, B5.9 GAS PLUS CM556, B5.9 LPG, B5.9 LPG PLUS CM556, B6.7 CM2350 B121B, B6.7 CM2350 B135B, B6.7 CM2350 B136C, B6.7 CM2350 B148B, B6.7 G CMOH6.0 B125, B6.7N CM2380 B150B, B6.7S, F3.8 CM2350 F120B, F3.8 CM2350 F128C, F3.8 CM2350 F132B, F3.8 F102, G3.9, G5.9, G5.9 CM558, ISB (CHRYSLER), ISB CM2150, ISB CM2150 E, ISB CM550, ISB CM850, ISB/ISD4.5 CM2150 B119, ISB/ISD4.5 CM2150 SN, ISB/ISD6.7 CM2150 B120, ISB/ISD6.7 CM2150 SN, ISB/ISD6.7 CM2880 B126, ISB3.9 CM2220 B107, ISB4.5 CM2150, ISB5.9G CM2180, ISB6.7 2010 DCX PICKUP, ISB6.7 2013 DCX CHASSIS CAB, ISB6.7 CM2150 SQ, ISB6.7 CM2250, ISB6.7 CM2350 B101, ISB6.7 CM2350 B103, ISB6.7 CM2350 B142, ISB6.7 CM2670 B153B, ISB6.7 G CM2180 B118, ISBE CM2150, ISBE CM800, ISBE2/ISBE3 CM850, ISBE4 CM850, ISD4.5 CM2150, ISD6.7 CM2880 D101, ISF2.8 CM2220, ISF2.8 CM2220 AN, ISF2.8 CM2220 EC, ISF2.8 CM2220 ECF2, ISF2.8 CM2220 F101, ISF2.8 CM2220 F117, ISF2.8 CM2220 F122, ISF2.8 CM2220 F126, ISF2.8 CM2220 F129, ISF2.8 CM2220 IAN, ISF3.8 CM2220, ISF3.8 CM2220 AN, ISF3.8 CM2220 F103, ISF3.8 CM2220 F110, ISF3.8 CM2220 F116, ISF3.8 CM2220 F134B, ISF3.8 CM2220 IAN, ISF3.8 CM2350 F109, ISF4.5 CM2220 F123, ISG11 CM2880 G106, ISG11 CM2880 G108, ISG12 CM2880 G107, ISG12 CM2880 G109, ISG12 G CMOH6.0 G111, QSB3.9 30 CM550, QSB3.9 CM2880 B138, QSB4.5 30 CM550, QSB4.5 CM2150 B108, QSB4.5 CM2250 B131, QSB4.5 CM2250 EC, QSB4.5 CM2350 B106, QSB4.5 CM2350 B122			



If952gq

SMALL | MEDIUM | LARGE

Cart	Ref No	Part Number	Part Description	Required	Remarks
<div style="border: 1px solid black; padding: 2px; display: inline-block;">View My Cart</div>					
		LF9074-05	Full Flow Oil Filter		Filter, Full Flow Oil...(More)
					Engine Cylinders: 6
					Oil Filter Position: Down
					Engine Aspiration:
					Turbocharged
					Sea Water Aftercooled
					Remote Mounted: Yes (Front
					of Engine)
					Mounting Bracket Included:

					Yes
<input type="checkbox"/>	1	107460	Clip	4	
<input type="checkbox"/>	2	3282285	Lubricating Oil Filter Head	1	
<input type="checkbox"/>	3	3335018	Lock Washer	2	M8
<input type="checkbox"/>	4	4058202	Filter Bracket	1	
<input type="checkbox"/>	5	4078924	Flexible Hose	2	
<input type="checkbox"/>	6	3866570	Male Adapter Elbow	2	
<input type="checkbox"/>	7	3866573	Hose Brace	2	
<input type="checkbox"/>	8	3900620	Hexagon Head Cap Screw	2	M8 X 1.25 X 20
<input type="checkbox"/>	9	3901446	Hexagon Flange Head Cap Screw	2	M8 X 1.25 X 60.
<input type="checkbox"/>	10	3902460	Hexagon Flange Head Cap Screw	5	M10 X 1.50 X 25.
<input type="checkbox"/>		4019744	Filter Head Adapter	1	
<input type="checkbox"/>	11	3085709	O-Ring Seal	2	
<input type="checkbox"/>	12	3943913	O-Ring Seal	1	
<input type="checkbox"/>	13	3944308	O-Ring Seal	1	
<input type="checkbox"/>	14	4019608	Filter Head Cover	1	
<input type="checkbox"/>	15	4020063	Filter Head Adapter	1	